

**Flexy Compact
 Corner Unit (90 degrees) with wheels
 and two stainless steel tray sliders,
 H=900mm**

ITEM # _____

MODEL # _____

NAME # _____

SIS # _____

AIA # _____


322074 (F31N0AW00S)

 Corner Unit (90 degrees)
 with wheels and two
 stainless steel tray sliders,
 H=900mm

Short Form Specification

Item No. _____

Compact design, ideal for space saving environments. AISI 304 Foldable tray sliders. Unit mounted on 125 mm wheels 2 swivel and 2 with brakes. Top provides ample displaying or workspace surface. Sturdy body construction with laminated panelings. 900mm worktop height. Designed to allow 2 units to be connected in a corner configuration. Enables the direction of the servery line to be changed depending on needs and the configuration of the location.

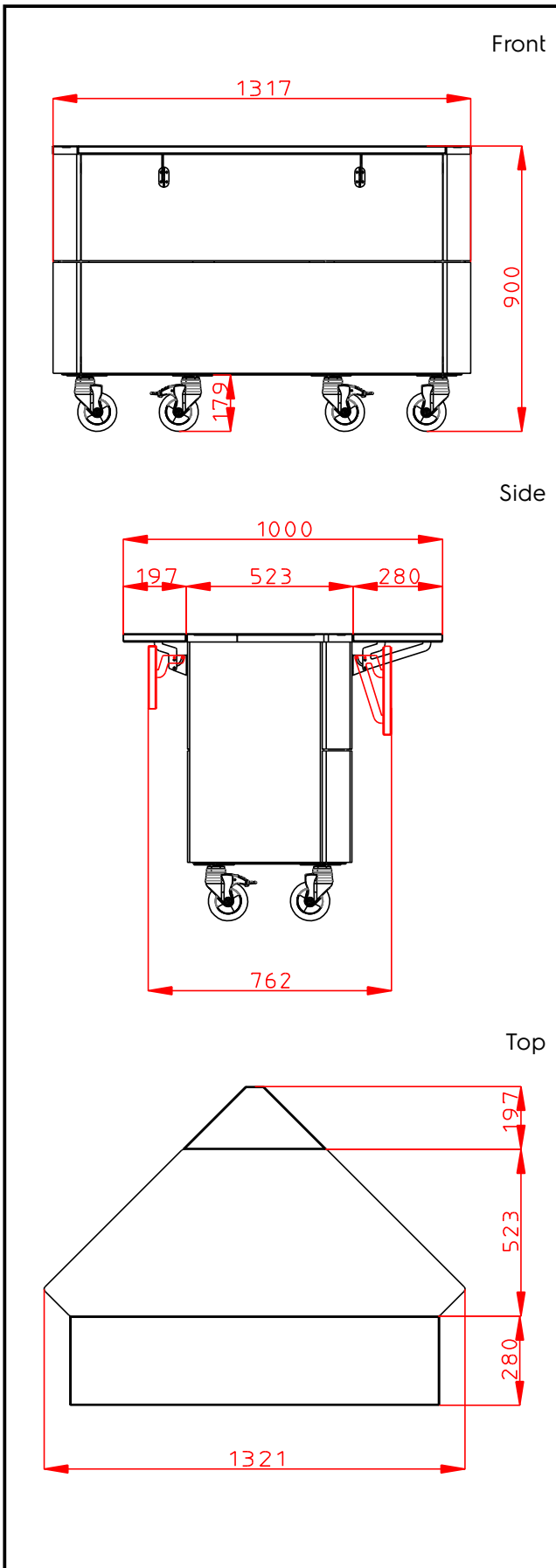
Main Features

- Perfect compact design makes it ideal for space saving environments.
- CB and CE certified by a third party notified body.
- Available options with online configurator: colors, tray sliders, overshelves, feet/wheels with desired diameter, height 750mm for kids.
- Designed to allow 2 units to be connected in a corner configuration.
- Enables the direction of the servery line to be changed depending on needs and the configuration of the location.
- Optional plinth can be installed to cover the feet or the wheels.
- AISI 304 Tray slider in flush mounted stainless steel is installed on long sides and they can also be folded down to facilitate passage of the units through doorways.
- Unit mounted on 125 mm wheels 2 swivel and 2 with brakes.
- Food introduced at the correct temperature maintains its core temperature according to Afnor Standards.

Construction

- Top in AISI 304.
- Sturdy construction with laminated panelings on 4 sides.

APPROVAL: _____



Key Information:

N° of doors:	
322074 (F31N0AW00S)	1
External dimensions, Width:	1320 mm
External dimensions, Depth:	1000 mm
External dimensions, Height:	900 mm
Net weight:	69 kg
Shipping height:	1130 mm
Shipping width:	810 mm
Shipping depth:	1360 mm
Shipping volume:	1.24 m ³